



HBN531E1B brushed steel Built-in single oven

Key features

- Catalytic liners: back panel, side liners, ceiling
- Mechanical control
- Drop down door

Design

- Rotary dial, 2 retractable control dials
- Straight bar handle with steel handle fixing blocks

Features

- Electronic clock timer
- 1 interior light
- Control panel lock
- Cavity inner surface: Enamel
- Smooth enamelled oven interior
- 4 shelf positions
- Full glass inner door
- Info button

Programmes/functions

- Oven with 4 heating methods:
3D hot air, full width variable grill, Hotair grilling, defrost

Performance/technical information

- 66 litre
- Integral cooling fan
- Stainless-steel fan
- Total connected load electric: 2.35 KW
- Appliance dimension (hxwxh): 595 mm x 595 mm x 548 mm
- Niche dimension (hxwxh): 575 mm - 597 mm x 560 mm - 568 mm x 550 mm
- Please reference the built-in dimensions provided in the installation drawing

- Energy efficiency rating (acc. EU Nr. 65/2014):
Number of cavities: 1
Heat source: electrical
Cavity volume: 66 litre

Standard accessories

- 1 x insert grid, 1 x combination grid, 1 x universal pan

Characteristics:

Color / Material Front: Stainless steel
Built-in / Free-standing: Built-in
Integrated Cleaning system: No
Required niche size for installation (HxWxD): 575-597 x 560 x 550
Dimensions of the product (mm): 595 x 595 x 548
Control Panel Material: Metal
Door Material: Glass
Net weight (kg): 32.0
Usable volume of cavity (l): 66
Cooking method: 3D hot air, Defrost, Full width variable grill, Hot air grilling
First cavity material: Enamelled
Temperature control: mechanical
Number of interior lights: 1
Approval certificates: CE, KEMA
Length electrical supply cord (cm):
Interior Lights - cavity 1: 1
Pull-out system: Not available
Clock function: Alarm, Off, On
Included accessories cavity 1: 1 x insert grid, 1 x combination grid, 1 x universal pan
Bake Element Wattages cavity 1 (W):
Broil Element Wattages cavity 1 (W): 2350
Convection Element Wattages cavity 1 (W):
Microwave wattage cavity 1 (W):
Drawer wattage (W):

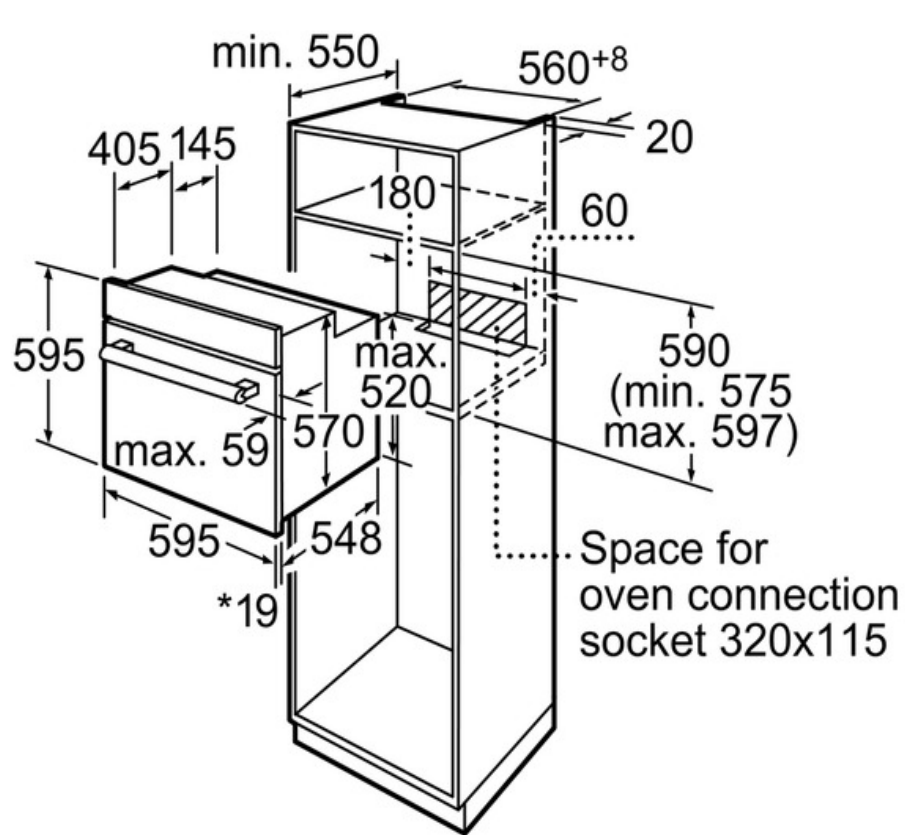
Consumption and connection features:

Energy consumption conventional (kWh) - cavity 1:
Energy consumption forced air convection (kWh) - cavity 1: 0.79
Electrical connection rating (W): 2350
Current (A): 13
Voltage (V): 220-240
Frequency (Hz): 50; 60
Plug type: fixed connection, no plug
Universal Product Code:
Color / Material Front: Stainless steel
Alternative colors available:
Energy input: Electric
Approval certificates: CE, KEMA
Length of electrical supply cord (in):
Required cutout/niche size for installation (in): x x
Dimensions of the packed product (in): 26.18 x 26.18 x 26.96
Net weight (lbs): 70
Gross weight (lbs): 75
Length electrical supply cord (cm):
Required niche size for installation (HxWxD): 575-597 x 560 x 550
Dimensions of the product (mm): 595 x 595 x 548
Net weight (kg): 32.0
Gross weight (kg): 34.0

Included accessories:

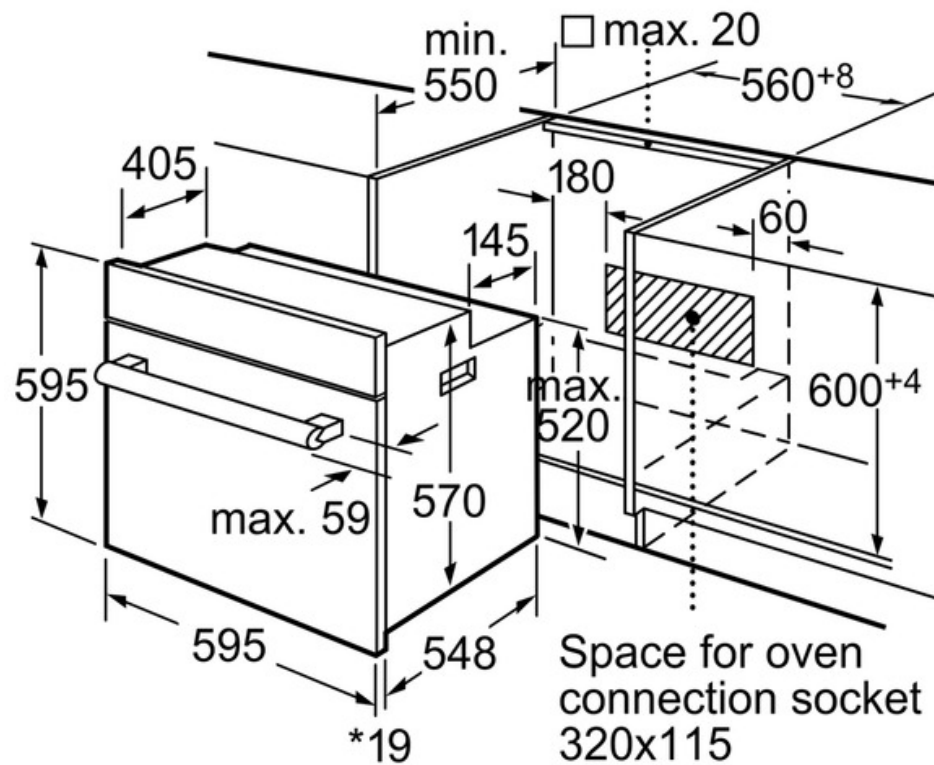
- 1 x insert grid
- 1 x combination grid
- 1 x universal pan

EAN code: 4242002899589



*20 mm for metal fascias

Measurements in mm



*20 mm for metal fascias

Measurements in mm