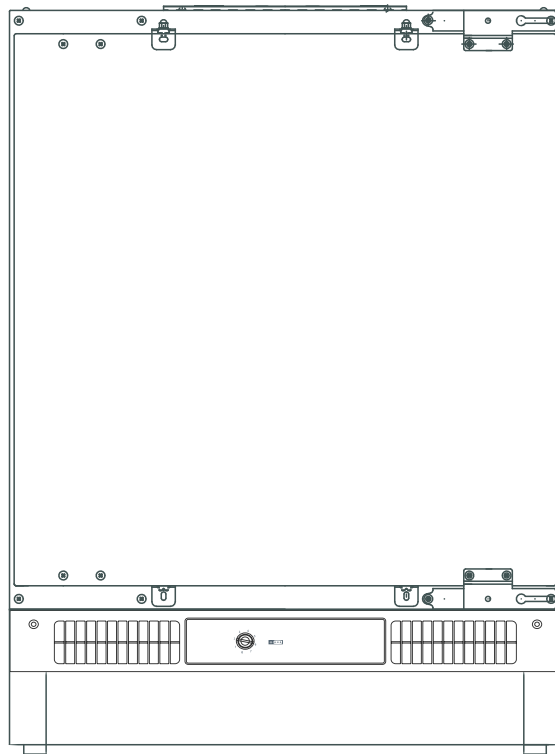


Baumatic

BRUF103

Freezer



Contents

SAFETY INFORMATION _____	4	Cleaning and Care _____	11
SCRAPPING OLD APPLIANCES _____	7	What to do if... _____	12
ENERGY SAVING _____	7	Description of the appliance _____	13
Control panel _____	8	Reversing the door _____	14
First use and Installation _____	9	Instructions for built-under installation _____	16
Daily use _____	9	Fitting the plinth _____	17
Helpful hints and tips _____	10		

Thank you for purchasing this product.

Before using your refrigerator, please carefully read this instruction manual in order to maximize its performance. Store all documentation for subsequent use or for other owners. This product is intended solely for household use or similar applications such as:

- the kitchen area for personnel in shops, offices and other working environments
- on farms, by clientele of hotels, motels and other environments of a residential type
- at bed and breakfasts (B & B)
- for catering services and similar applications not for retail sale.

This appliance must be used only for purposes of storage of food, any other use is considered dangerous and the manufacturer will not be responsible for any omissions. Also, it is recommended that you take note of the warranty conditions.

SAFETY INFORMATION

The refrigerator contains a refrigerant gas (R600a: isobutane) and insulating gas (cyclopentane), with high compatibility with the environment, that are, however, inflammable.

We recommend that you follow the following regulations so as to avoid situations dangerous to you:

Before performing any operation, unplug the power cord from the power socket.

- The refrigeration system positioned behind and inside the Wine Coolers contains refrigerant. Therefore, avoid damaging the tubes.**
- If in the refrigeration system a leak is noted, do not touch the wall outlet and do not use open flames. Open the window and let air into the room. Then call a service centre to ask for repair.**
- Do not scrape with a knife or sharp object to remove frost or ice that occurs. With these, the refrigerant circuit can be damaged, the spill from which can cause a fire or damage your eyes.**
- Do not install the appliance in humid, oily or dusty places, nor expose it to direct sunlight and to water.**

- **Do not install the appliance near heaters or inflammable materials.**
- **Do not use extension cords or adapters.**
- **Do not excessively pull or fold the power cord or touch the plug with wet hands.**
- **Do not damage the plug and/or the power cord; this could cause electrical shocks or fires.**
- **It is recommended to keep the plug clean, any excessive dust residues on the plug can be the cause fire.**
- **Do not use mechanical devices or other equipment to hasten the defrosting process.**
- **Absolutely avoid the use of open flame or electrical equipment, such as heaters, steam cleaners, candles, oil lamps and the like in order to speed up the defrosting phase.**
- **Do not use or store inflammable sprays, such as spray paint, near the Wine Coolers. It could cause an explosion or fire.**
- **Do not use electrical appliances inside the food storage compartments, unless they are of the type recommended by the manufacturer.**
- **Do not place or store inflammable and highly volatile materials such as ether, petrol, LPG, propane gas, aerosol spray cans, adhesives, pure alcohol, etc. These materials may cause an explosion.**
- **Do not store medicine or research materials in the Wine Coolers. When the material that requires a strict control of storage temperatures is to be**

stored, it is possible that it will deteriorate or an uncontrolled reaction may occur that can cause risks.

- Maintain the ventilation openings in the appliance enclosure or in the built-in structure, free of obstruction.**
- Do not place objects and/or containers filled with water on the top of the appliance.**
- Do not perform repairs on this Wine Coolers. All interventions must be performed solely by qualified personnel.**
- This appliance can be used by children aged from 8 years and above and by persons with reduced physical, sensory or mental capabilities or with a lack of experience and knowledge; provided that they have been given adequate supervision or instruction concerning how to use the appliance in a safe way and understand the hazards involved.**
- Children should not play with the appliance. Cleaning and user maintenance should not be made by children without supervision**

SCRAPPING OLD APPLIANCES



This appliance is marked according to the European directive 2012/19/EU on Waste Electrical and Electronic Equipment (WEEE).


WEEE contains both polluting substances (which can cause negative consequences for the environment) and basic components (which can be re-used). It is important to have WEEE subjected to specific treatments, in order to remove and dispose properly all pollutants, and recover and recycle all materials.

Individuals can play an important role in ensuring that WEEE does not become an environmental issue; it is essential to follow some basic rules:

- WEEE should not be treated as household waste;
- WEEE should be handed over to the relevant collection points managed by the municipality or by registered companies. In many countries, for large WEEE, home collection could be present.

In many countries, when you buy a new appliance, the old one may be returned to the retailer who has to collect it free of charge on a one-to-one basis, as long as the equipment is of equivalent type and has the same functions as the supplied equipment.

Conformity

By placing the  mark on this product, we are confirming compliance to all relevant European safety, health and environmental requirements which are applicable in legislation for this product.

Energy Saving

For better energy saving we suggest :

Installing tge appliance away from heat sources and not exposed to direct sunlight and in a well ventilated roo.

Avoid putting hot food into the refrigerator to avoid increasing the internal temperature and therefore causing continuos functionaliting of the compressor.

Do not excessively stuff foods so as to ensure proper air circulation.

Defrost the appliance in case there is ice to facilitate the transfer of cold.

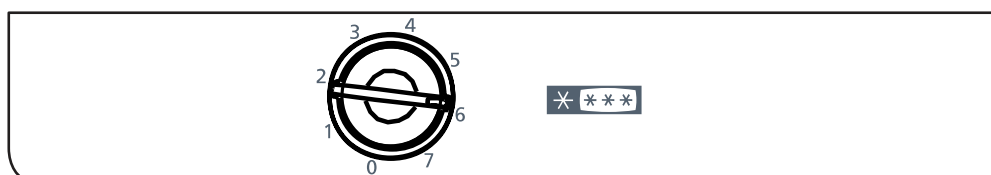
In case of absence of electrical energy, it is advisable to keep the refrigerator door closed.

Open or keep the doors of the appliance open as little as possible

Avoid adjusting the setting to temperatures too cold.

Remove dust present on the rear of the appliance

Control panel



Starting up and temperature regulation

Insert the plug of the connection lead into the plug socket with protective earth contact.

Setting off means:

Turn the knob to the 0 position, the freezer will be stopped. Turn the knob clockwise beyond the 0 position, the freezer will be running.

The various positions between 1 and 7 indicate increasingly cold temperatures. To preserve frozen products correctly, the temperature must be at least -12°C or less. The temperature is adjusted automatically and can be increased (less cold) by setting the knob to a lower number or decreased (colder) by setting it to a higher number. Normally we advise you select setting of 3 or 4, if you want the temperature higher or colder, please turn the

knob to warmer or colder setting accordingly. When you turn the knob to colder (position 6 to 7), which can lead to the more energy efficiency. Otherwise, it would result the energy-consuming.

Important! High ambient temperatures (e.g. on hot summer days) and a cold setting on the temperature regulator (position 6 to 7) can cause the compressor to run continuously or even non-stop!

So we do not advise the user set the temperature control knob at "6" or "7" in normal.

Reason: when the ambient temperature is high, the compressor must run continuously to maintain the temperature in the appliance which can lead to the more energy efficiency. Otherwise, it would result the energy-consuming.


First use and Installation

Cleaning before use

- Before using the appliance for the first time, clean the interior and all internal accessories with lukewarm water and some neutral soap so as to remove the typical smell of a brand new product, then dry thoroughly.

Important! Do not use detergents or abrasive powders, as these will damage the finish.

Installation Positioning

 **Warning!** Before installing, read the instruction carefully for your safety and correct operation of the appliance.

- Position the appliance away from sources of heat such as stoves, radiators, direct sunlight etc.
- Maximum performance and safety are guaranteed by maintaining the correct indoor temperature for the class of unit concerned, as specified on the rating plate.
- This application perform well from N to ST climate class. The Appliance may not work properly if it is left for a longer period at a temperature above or below the indicated range.

Important! There is a need of good ventilation around the fridge for easy dissipation of heat, high efficiency of refrigeration and low power consumption. For this purpose, sufficient clear space should be available around the fridge. It is advisable for there to be 75mm separating the back of the fridge to the wall, at least

100mm of space at its two sides,height of over 100mm from its top and a clear space upfront to allow the doors to open 160°.

Climate class	Ambient temperature
SN	+10°C to +32°C
N	+16°C to +32°C
ST	+16°C to +38°C
T	+16°C to +43°C

- Appliances must not be exposed to rain.

Leveling


- The appliance should be level in order to eliminate vibration. To make the appliance level, it should be upright and both adjusters should be firmly contacted with the floor. You can also adjust the level by screwing out the appropriate level adjuster at the front (use your fingers or a suitable spanner).

Electrical connection

Caution! Any electrical work required to install this appliance should be carried out by a qualified or competent person.

Daily use

Accessories 1)

This appliance is marked with the symbol which  means that it is suitable for freezing fresh food, storing frozen food and making ice cubes.

Freezer Drawer

- The drawer is suitable for storing frozen food.

Ice-cube production

- This appliance is equipped with one or more trays for the production of ice-cubes. Fill the tray 3/4 full of water to allow for the ice expanding. The ice cubes can be removed simply by twisting the plastic tray.

Freezing fresh food 2)

- The freezer compartment is suitable for freezing fresh food and storing frozen and deep-frozen food for a long time.
- The maximum amount of food that can be frozen in 24 hours is specified on the rating plate, a label located on the inside of the appliance.
- The freezing process lasts 24 hours: during this period do not add other food to be frozen.

Storing frozen food 2)

- When first starting-up or after a period out of use. Before putting the product in the compartment let the appliance run at least 2 hours on the higher settings.

Thawing 2)

- Deep-frozen or frozen food, prior to be used, can be thawed in the freezer compartment or at room temperature, depending on the time available for this operation.
- Small pieces may even be cooked still frozen, directly from the freezer. In this case, cooking will take longer.

Important!

In the event of accidental defrosting ,for example the power has been off for longer than the value shown in the technical characteristics chart under "rising time",the defrosted food must be consumed quickly or cooked immediately and then re-frozen (after cooked).

Helpful hints and tips

Noises during Operation

The following noises are characteristic of refrigeration appliances:

Clicks Whenever the compressor switches on or off, a click can be heard.

Humming As soon as the compressor is in operation, you can hear it humming.

Bubbling When refrigerant flows into thin tubes, you can hear bubbling or splashing noises.

Splashing Even after the compressor has been switched off, this noise can be heard for a short time.

Energy saving tips

- Do not install the appliance near cookers, radiators or other sources of warmth.

- Do not open the door too often or leave the door open any longer than necessary.
- Do not set temperature colder than necessary.
- Make sure the side plates and back plate of the appliance are with some distance from the wall, follow the instructions relevant to installation.
- If sketch map shows the right combination of the drawers, crisper and shelves, do not adjust the combination, it would result in more energy-consuming.

Hints for fresh food refrigeration

To obtain the best performances:

- Do not store warm foods or evaporating liquids in the appliance.
- Do cover or wrap the food, particularly if it

has a strong flavor.

- Position food so that air can circulate freely around.

Hints for freezing

To help you make the most of the freezing process there are some important hints:

- The maximum quantity of food which can be frozen in 24 hours. Is shown on the rating plate.
- The freezing process takes 24 hours.no further food to be frozen should be added during the period.
- Only freeze top quality, fresh and thoroughly cleaned foodstuffs.
- Prepare food in small portions to enable it to be rapidly and completely frozen and to make it possible subsequently to thaw only the quantity required
- Wrap up the food in aluminum foil or polythene and make sure that packages are airtight;
- Do not allow fresh, unfrozen food to touch food which is already frozen, thus avoiding a rise in temperature of the latter.
- Lean foods store better and longer than fatty ones; salt reduce the storage life of food.

- Water ices, if consumed immediately after removal from the freezer compartment, can possibly cause the skin to be freeze burnt.
- It is advisable to show the freezing in date on each individual pack to enable you to keep tab of the storage time.

Hints for storage of frozen food

To obtain the best performance from this appliance,you should:

- Make sure that the commercially frozen foodstuffs were stored by the retailer
 - Be sure that frozen foodstuffs are transferred from the food store to the freezer in the shortest possible time
 - Do not open the door frequently or leave it open longer than absolutely necessary.
 - Once defrosted, foods deteriorate rapidly and can not be re-frozen.
 - Do not exceed the storage period indicated by the food manufacture.
- Note:** If the appliance contains related accessories and function.

Cleaning and Care

Cleaning and Care

For hygienic reasons the appliance interior, including interior accessories, should be cleaned regularly.

The appliance should be cleaned and maintained at least every two months.



Warning! Danger of electrical shock!

- The appliance should not be connected to the mains during cleaning. Before cleaning switch the appliance off and remove the plug from the mains, or switch off or turn out the circuit breaker or fuse.

Important!

- Remove the food from the appliance before cleaning. Store them in a cool place, well covered.
- Never clean the appliance with a steam cleaner. Moisture could accumulate in electrical components.

- Hot vapors can lead to the damage of plastic parts.
- Ethereal oils and organic solvents can attack plastic parts, e.g. lemon juice or the juice from orange peel, butyric acid, cleanser that contain acetic acid.Do not allow such substances to come into contact with appliance parts.
- Do not use any abrasive cleansers.
- Clean the appliance and the interior accessories with a cloth and lukewarm water. Commercially available dish washing detergents may also be used.
- After cleaning wipe with fresh water and clean dish cloth.
- Check the water drain hole on the rear wall of the refrigerator compartment.
- Clear a blocked drain hole with the aid of something like soft green peg, be careful not to make any damage to the cabinet by sharp things.

- After everything is dry place appliance back into service.

Defrosting

- The compartment of this appliance is “frost free”.
- This means that there is no buildup of frost when it is running, neither on the internal walls nor on the foods.
- The absence of frost is due to the continuous circulation of cold air inside the compartment, driven by an automatically controlled fan.

Go out of use for a long time

- Remove all refrigerated packages.
- Remove the mains plug or switch off or disconnect the electricity supply.
- Clean thoroughly (see section: Cleaning and Care)
- Leave the door open to avoid the build up of odors.

What to do if...



Warning! Before trouble shooting, disconnect the power supply. Only a qualified electrician of competent person must carry out the trouble shooting that is not in the manual.

Important! There are some sounds during normal use (compressor, refrigerant circulation)

Important!

Repairs to refrigerators/freezers may only be performed by competent service engineers. Improper repairs can give rise to significant hazards for the user. If your appliance needs repairing, please contact your specialist dealer or your local Service Force Center.

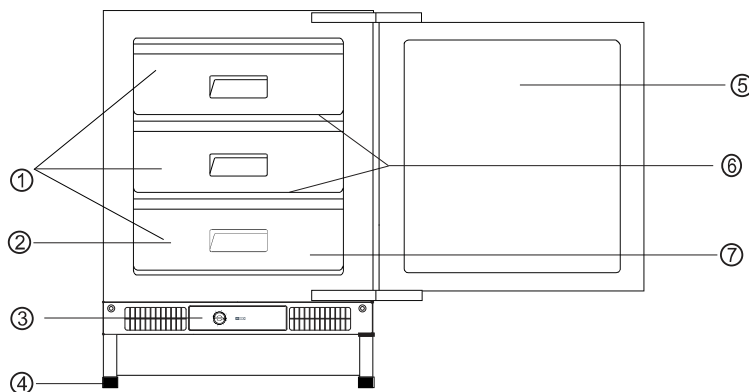
Problem	Possible cause	Solution
Appliance does not work.	Appliance is not switched on.	Switch on the appliance.
	Mains plug is not plugged in or is loose.	Insert mains plug.
	Fuse has blown or is defective.	Check fuse, replace if necessary.
	Socket is defective.	Mains malfunctions are to be corrected by an electrician.
Appliance cools too much.	Temperature is set too cold.	Turn the temperature regulator to a warmer setting temporarily.
The food is too warm.	Temperature is not properly adjusted.	Please look in the “initial Start Up” section.
	Door was open for an extended period.	Open the door only as long as necessary.
	A large quantity of warm food was placed in the appliance within the last 24 hours.	Turn the temperature regulation to a colder setting temporarily.
	The appliance is near a heat source.	Please look in the “installation location” section.

Heavy build-up of frost, possibly also on the door seal.	Door seal is not air-tight (possibly after reversing the door).	Carefully warm the leaking sections of the door seal with a hair dryer (on a cool setting). At the same time shape the warmed door seal by hand such that it sits correctly.
Unusual noises.	Appliance is not level.	Readjust the feet.
	The appliance is touching the wall or other objects.	Move the appliance slightly.
	A component, e.g. a pipe, on the rear of the appliance is touching another part of the appliance or the wall.	If necessary, carefully bend the component out of the way.
The compressor does not start immediately after changing the temperature setting.	This is normal, no error has occurred.	The compressor starts after a period of time.

Description of the appliance

View of the appliance

1. Drawers
2. Shelves (inside)
3. Control panel
4. Adjustable feet
5. Door
6. Drawer pads
7. Ice tray (inside)



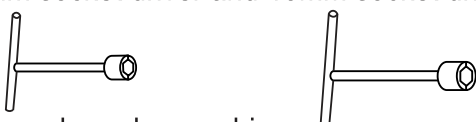
Note: Due to unceasing modification of our products your refrigerator may be slightly different from this Instruction Manual, but its functions and using methods remain the same.

Reversing the door

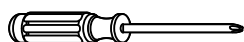
The side at which the door opens can be changed from the right side (as supplied) to the left side, if the installation site requires.

Tools you will need:

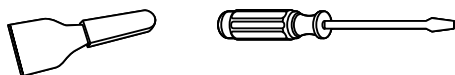
1. 8mm socket driver and 10mm socket driver



2. cross-shaped screwdriver



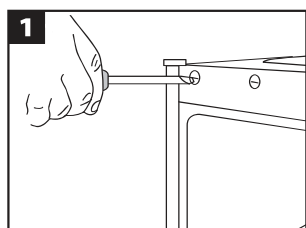
3. Putty knife or thin-blade screwdriver



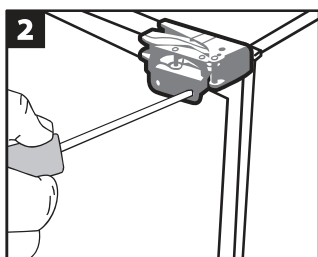
- This must be done before fitting the cabinet outer door.
- Ensure the fridge is unplugged and empty.
- We recommend you have someone to assist you.

WARNING! Take care when opening the hinges, they are sprung and there is a risk of injury if they close on your hand.

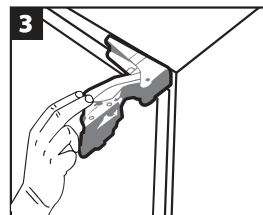
1. Remove the blanking plates from the outside of the Larder fridge door.



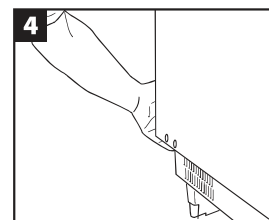
2. With the door closed remove the screws on the outside of the hinges. Start with the top hinge.



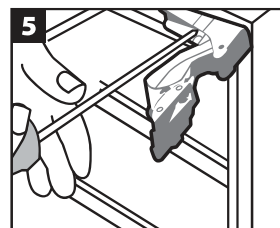
3. Open the hinges away from the door.



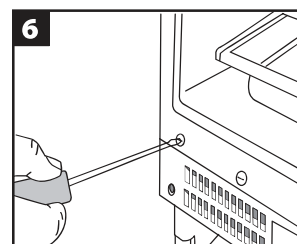
4. Supporting the bottom of the door as you do so. Be careful with the hinges. Remove the door.



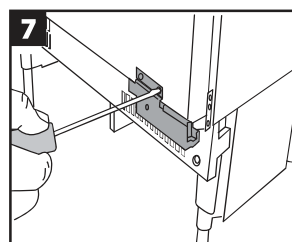
5. With the top hinge open undo the screws holding it to the cabinet. Be careful with the hinge, use a long shafted screwdriver if you have one.



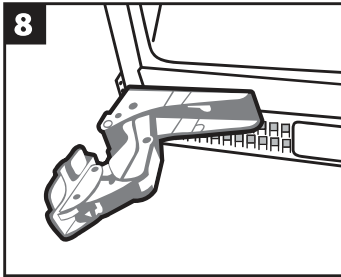
6. Remove the blanking plates for the cabinet.



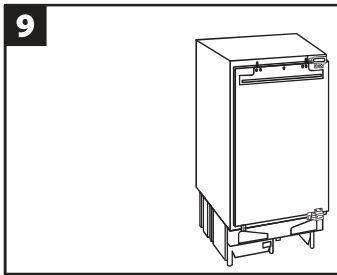
7. Turn the hinge over and place it on the diagonally opposite corner of the cabinet. Screw back in place.



8.Repeat with the other hinge,Replace the cabinet blanking plates.Replace the door and re-attach the hinges.



9.Check that the larger fridge door is aligned horizontally and vertically and that the door seals are secure on all sides before finally tightening the hinge bracket screws.



Warning!

Reposition, level the appliance, wait for at least two hours and then connect it to the power socket. In case you do not want to carry out the above mentioned operations, contact the nearest

After Sales Service Force. The After Sales Service specialist will carry out the reversibility of the doors at your cost. After having reversed the opening direction of the door check that all the screws are properly tightened and that the magnetic seal adheres to the cabinet. .

Instructions for built-under installation

1. The furniture's dimensions must comply with those shown in Figure 1. The appliance can be inserted under the worktop between two (a) or placed as a terminal unit (b).

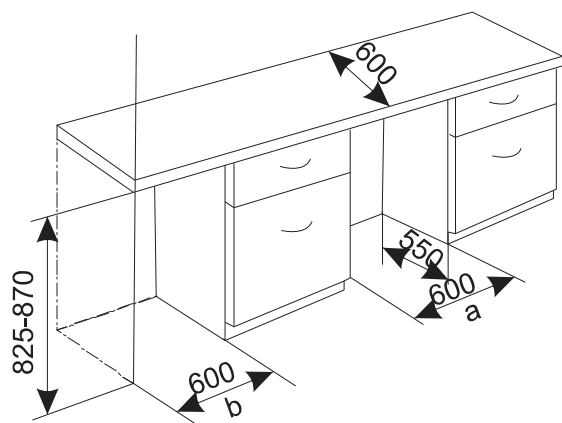


Figure 1

2. After inserting the appliance in the appropriate furniture (Figure 2), you must adjust its height using the 4 adjustable feet (Figure 3). The height can be adjusted from 82 to 87 mm.

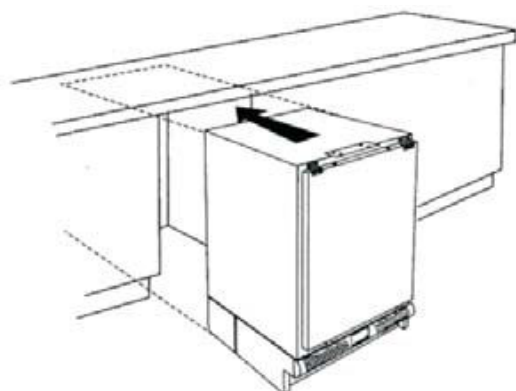


Figure 2

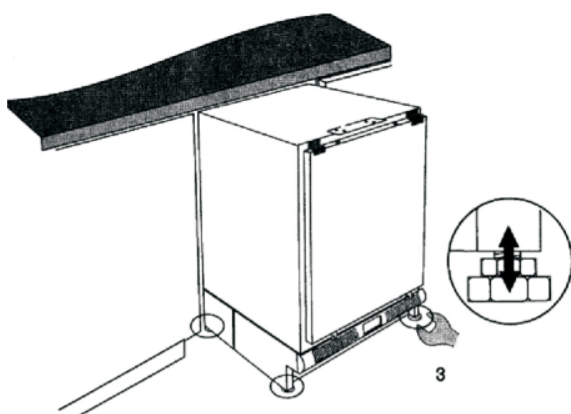


Figure 3

3. Fitting the door panel

1) Remove the upper fixing flanges from the appliance's door (Figure 4).

2) Fasten the flanges onto the furniture's door, following the instructions mentioned in the diagram;

-Distance A is the one from the top edge of the appliance's door to the lower edge of the worktop. -Distance B is the one from the top edge of the door on the furniture next to the lower edge of the worktop.

3) Fasten the furniture's door on to the appliance by tightening the upper nuts (Figure 5-A/B). Align the furniture's door to those on the neighbouring units by adjusting the position of the flanges to the furniture's door (Figure 5-D).

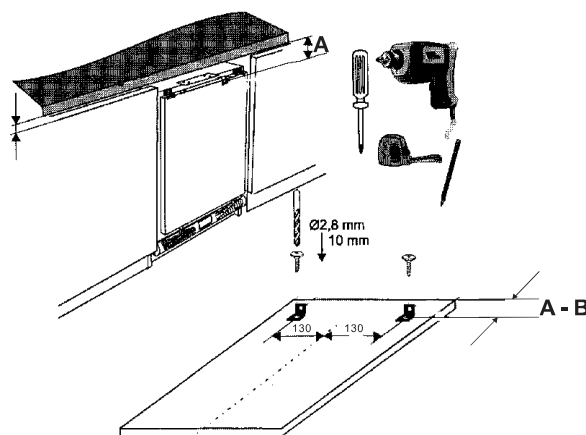


Figure 4

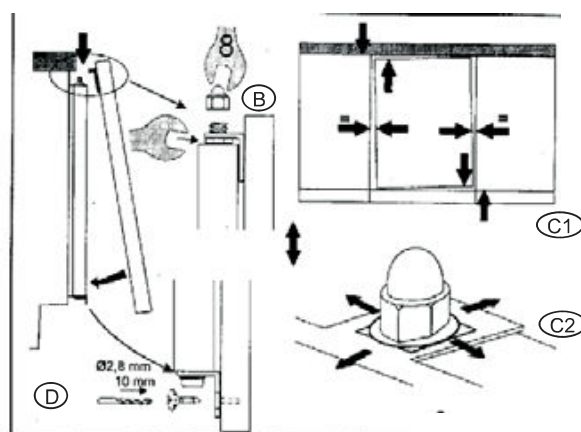


Figure 5

4. Fasten the appliance to the worktop or at the sides to the adjacent units, using the upper or side fixing holes provided for this purpose (Figure 6).

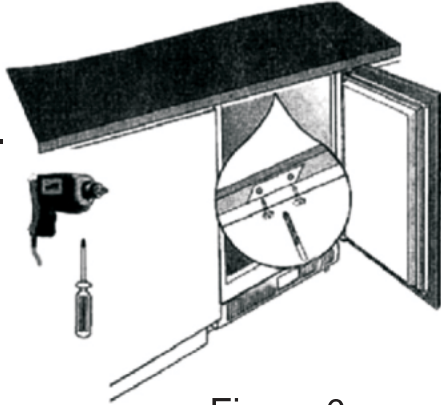
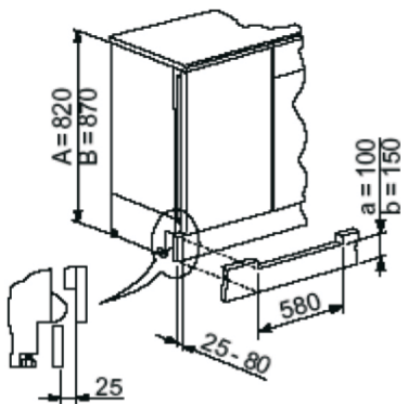


Figure 6

Fitting the plinth

⚠ Warning: the original ventilation grill must be used in order not to compromise the appliance's operation. The plinth must also be positioned at least 25mm way from the appliance's door.

- If the niche for the appliance has a height of $A = 820\text{mm}$ and a plinth height of $a = 100\text{mm}$, the plinth can be fitted without any modification.
- If the plinth's height is greater than $a = 100\text{mm}$, $b = 150\text{mm}$, then it must be cut to a height of $a = 100\text{mm}$ and $b = 150\text{mm}$ with a width of $a = 580\text{mm}$.
- Fasten the plinth to the kitchen block



UK Customer Care Telephone

0344 692 3605

UK Spare Part Telephone

0344 692 3606

Baumatic

Candy Hoover Group Srl
Via Comolli 16
20861 Brugherio (MB)
ITALY