

**Libretto d' uso**

**User manual**

**Manuel d'utilisation**

**Gebrauchsanleitung**

**Gebruiksaanwijzing**

**Manual de uso**

**Livro para utilização**

**Brugsvejledning**

**Användningshandbok**

**Руководство по эксплуатации**

**Instrukcja użytkowania**

**كتيب الاستعمال**

**Bruksveiledning**

**Käyttöohjeet**

***KD610XE***

<b>IT</b>	LIBRETTO DI USO .....	3
<b>EN</b>	USER MANUAL .....	6
<b>FR</b>	MANUEL D'UTILISATION .....	9
<b>DE</b>	GEBRAUCHSANLEITUNG .....	12
<b>NL</b>	GEBRUIKSAANWIJZING .....	15
<b>ES</b>	MANUAL DE USO .....	18
<b>PT</b>	LIVRO DE INSTRUÇÕES PARA UTILIZAÇÃO .....	21
<b>RU</b>	РУКОВОДСТВО ПО ЭКСПЛУАТАЦИИ .....	24
<b>SV</b>	ANVÄNDNINGSHANDBOK .....	27
<b>DA</b>	BRUGSVEJLEDNING .....	30
<b>PL</b>	INSTRUKCJA UŻYTKOWANIA .....	33
<b>AR</b>	..... كِتَابِيبِ الِاسْتِعْمَالِ	36
<b>NO</b>	BRUKSVEILEDNING .....	39
<b>FI</b>	KÄYTTÖOHJEET .....	42

## EN Recommendations and suggestions

---

- The Instructions for Use apply to several versions of this appliance. Accordingly, you may find descriptions of individual features that do not apply to your specific appliance.
- The manufacturer will not be held liable for any damages resulting from incorrect or improper installation.
- The minimum safety distance between the cooker top and the extractor hood is 650 mm (some models can be installed at a lower height, please refer to the paragraphs on working dimensions and installation).
- Check that the mains voltage corresponds to that indicated on the rating plate fixed to the inside of the hood.
- For Class I appliances, check that the domestic power supply guarantees adequate earthing. Connect the extractor to the exhaust flue through a pipe of minimum diameter 120 mm. The route of the flue must be as short as possible.
- Do not connect the extractor hood to exhaust ducts carrying combustion fumes (boilers, fireplaces, etc.).
- If the extractor is used in conjunction with non-electrical appliances (e.g. gas burning appliances), a sufficient degree of aeration must be guaranteed in the room in order to prevent the backflow of exhaust gas. The kitchen must have an opening communicating directly with the open air in order

to guarantee the entry of clean air. When the cooker hood is used in conjunction with appliances supplied with energy other than electric, the negative pressure in the room must not exceed 0,04 mbar to prevent fumes being drawn back into the room by the cooker hood.

- In the event of damage to the power cable, it must be replaced by the manufacturer or by the technical service department, in order to prevent any risks.
  - If the instructions for installation for the gas hob specify a greater distance specified above, this has to be taken into account. Regulations concerning the discharge of air have to be fulfilled.
  - Use only screws and small parts in support of the hood.
- Warning:** Failure to install the screws or fixing device in accordance with these instructions may result in electrical hazards.
- Connect the hood to the mains through a two-pole switch having a contact gap of at least 3 mm.

### Use


---

- The extractor hood has been designed exclusively for domestic use to eliminate kitchen smells.
- Never use the hood for purposes other than for which it has been designed.
- Never leave high naked flames under the hood when it is in operation.
- Adjust the flame intensity to direct it onto the bottom of the pan only, making sure that it does not engulf

the sides.

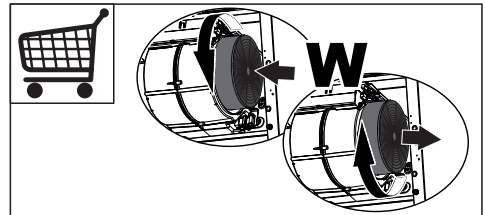
- Deep fat fryers must be continuously monitored during use: overheated oil can burst into flames.
- Do not flambè under the range hood; risk of fire.
- This appliance can be used by children aged from 8 years and above and persons with reduced physical, sensory or mental capabilities or lack of experience and knowledge if they have been given supervision or instruction concerning use of the appliance in a safe way and understand the hazards involved. Children shall not play with the appliance. Cleaning and user maintenance shall not be made by children without supervision.
- **“CAUTION:** Accessible parts may become hot when used with cooking appliances.”

## Maintenance

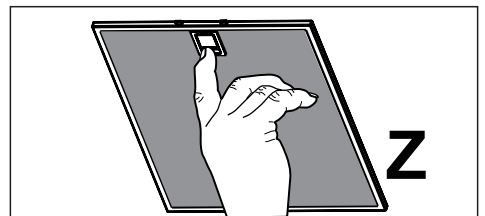
- The symbol  on the product or on its packaging indicates that this product may not be treated as household waste. Instead it shall be handed over to the applicable collection point for the recycling of electrical and electronic equipment. By ensuring this product is disposed of correctly, you will help prevent potential negative consequences for the environment and human health, which could otherwise be caused by inappropriate waste handling of this product. For more detailed information about recycling of this product, please contact your local city office, your household waste

disposal service or the shop where you purchased the product.

- Switch off or unplug the appliance from the mains supply before carrying out any maintenance work.
- Clean and/or replace the Filters after the specified time period (Fire hazard).
  - Activated charcoal filter **W** these filters are not washable and cannot be regenerated, and must be replaced approximately every 4 months of operation, or more frequently with heavy usage.

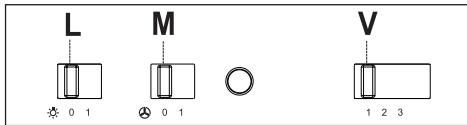


- Grease filters **Z** The filters must be cleaned every 2 months of operation, or more frequently for particularly heavy usage, and can be washed in a dishwasher.



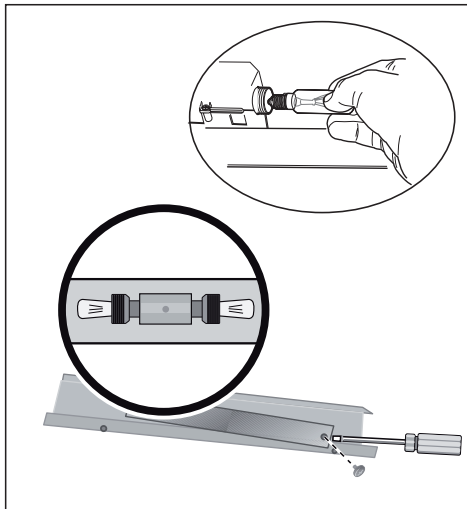
- Clean the hood using a damp cloth and a neutral liquid detergent.


## Controls



<b>L</b>	Light	Switches the lighting system on and off
<b>M</b>	Motor	Switches the extractor motor on and off
<b>V</b>	Speed	Sets the operating speed of the extractor: <ol style="list-style-type: none"> <li>1. Low speed, used for a continuous and silent air change in the presence of light cooking vapour.</li> <li>2. Medium speed, suitable for most operating conditions given the optimum treated air flow/ noise level ratio.</li> <li>3. Maximum speed, used for eliminating the highest cooking vapour emission, including long periods.</li> </ol>

## Lighting



Lamp	Power (W)	Socket	Voltage (V)	Dimension (mm)	ILCOS Code
	28	E14	220-240	104 x 35	HSGSB/C/UB-28-220/240-E14